



16 I 103 I/E



## PRESSACAVI CABLE GLANDS MAXIbrass®



### INFORMAZIONI GENERALI:

- Materiale: ottone nichelato (CuZn40Pb3)
- Guarnizione: NEOPRENE®
- Griffe di serraggio: POLIAMMIDE PA 6.6
- O-Ring: NITRILE 70 sh A
- Grado di protezione: IP 68 - 5 bar / 30 min.
- Temperatura d'impiego: da - 25°C a +100°C

### GENERAL INFORMATION:

- Material: Nickel plated Brass (CuZn40Pb3)
- Sealing ring: NEOPRENE®
- Cable grip insert: POLYAMIDE PA 6.6
- O-ring: NITRILE 70 sh A
- Protection: IP 68 - 5 bar / 30 min. (LIQUID TIGHT)
- Temperature range: - 25°C to +100°C

### ISTRUZIONI PER L'INSTALLAZIONE:

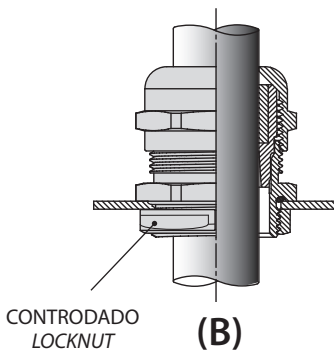
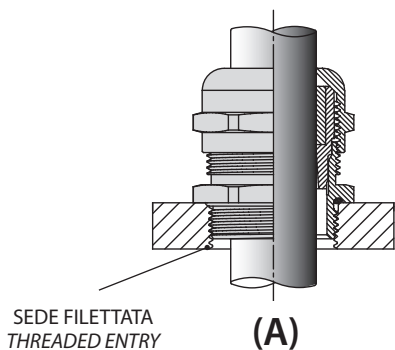
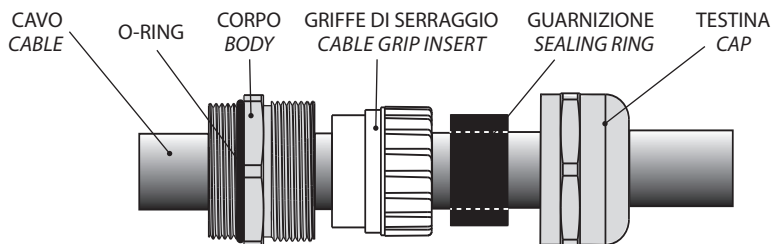
- 1) Avvitare il pressacavo nella sede filettata corrispondente (A) o fissarlo con il controdado (B), senza eccedere nella chiusura.
- 2) Introdurre il cavo all'interno del pressacavo.
- 3) Avvitare la testina finché la guarnizione tocca completamente il cavo.
- 4) Serrare infine il pressacavo e la testina all'accoppiata serraggio indicata in tabella.

### INSTALLATION INSTRUCTIONS:

- 1) Screw the cable gland into an appropriate threaded entry (A) or secure with a locknut (B). Do not over-tighten.
- 2) Pass the cable through the cable gland to the required length.
- 3) Screw on the cap until the sealing ring is in full contact with the cable.
- 4) Torque up the gland and cap to the levels shown in the table overleaf.

USO SENZA CONTRODADO: solo se avvitato a sedi filettate.

USE WITHOUT LOCKNUT: in appropriate threaded entries only





Licence No. 40006472  
and No. 40006474



FILE No. E 220310,  
Control No. 485B



FILE No. E 220310

Con riduzione della forza di trazione.  
With reduced pull force.



Via Serenissima, 9  
25135 Brescia (Italy)  
Tel.: +39 03036921  
Fax: +39 0303365766  
www.cembre.com  
E-MAIL:sales@cembre.com

| TIPO<br>REF. | FILETTO<br>THREAD | UL 514B            |        |           | VALORE<br>TRAZIONE<br>PULL FORCE |        | EN 62444<br>CATEGORIA<br>D'IMPATTO<br>IMPACT<br>CATEGORY | MARCHIO<br>MARK |    |             |
|--------------|-------------------|--------------------|--------|-----------|----------------------------------|--------|--|-----------------|----|-------------|
|              |                   | Nomiale<br>Nominal | mm     | inches    | Nm                               | in-lbs |  |                 | kg | lb          |
| 2900.M12N    | 2901.M12N         | M12x1.5            | 3-7    | 0.11-0.28 | 6                                | 53     | 2  | 4.4             | 5  | USR-CNR/VDE |
| 2900.M16N    | 2901.M16N         | M16x1.5            | 4.5-10 | 0.18-0.39 | 6                                | 53     | 15.9   | 35              | 6  | USR-CNL/VDE |
| 2900.M20N    | 2901.M20N         | M20x1.5            | 7-13   | 0.31-0.51 | 8                                | 71     | 15.9   | 35              | 6  | USR-CNL/VDE |
| 2900.M25N    | 2901.M25N         | M25x1.5            | 10-17  | 0.39-0.67 | 8                                | 71     | 15.9   | 35              | 6  | USR-CNL/VDE |
| 2900.M32N    | 2901.M32N         | M32x1.5            | 11-21  | 0.43-0.83 | 12                               | 106    | 15.9   | 35              | 6  | USR-CNL/VDE |
| 2900.M40N    | 2901.M40N         | M40x1.5            | 19-28  | 0.75-1.10 | 18                               | 159    | 15.9   | 35              | 6  | USR-CNL/VDE |
| 2900.M50N    | 2901.M50N         | M50x1.5            | 26-35  | 1.06-1.38 | 18                               | 159    | 15.9   | 35              | 6  | USR-CNL/VDE |
| 2900.M63N    | -                 | M63x1.5            | 34-45  | 1.33-1.77 | 18                               | 159    | 15.9   | 35              | 6  | USR-CNL/VDE |
| 2910.M12N    | 2911.M12N         | M12x1.5            | 1-5    | 0.08-0.20 | 6                                | 53     | 2  | 4.4             | 5  | USR-CNR/VDE |
| 2910.M16N    | 2911.M16N         | M16x1.5            | 2.5-7  | 0.14-0.28 | 6                                | 53     | 2  | 4.4             | 6  | USR-CNR/VDE |
| 2910.M20N    | 2911.M20N         | M20x1.5            | 5-10   | 0.20-0.40 | 8                                | 71     | 2  | 4.4             | 6  | USR-CNR/VDE |
| 2910.M25N    | 2911.M25N         | M25x1.5            | 6-13   | 0.24-0.51 | 8                                | 71     | 2  | 4.4             | 6  | USR-CNR/VDE |
| 2910.M32N    | 2911.M32N         | M32x1.5            | 7-14   | 0.28-0.55 | 12                               | 106    | 5  | 11              | 6  | USR-CNR/VDE |
| 2910.M40N    | 2911.M40N         | M40x1.5            | 13-23  | 0.59-0.91 | 18                               | 159    | 15.9   | 35              | 6  | USR-CNL/VDE |
| 2910.M50N    | 2911.M50N         | M50x1.5            | 20-29  | 0.79-1.14 | 18                               | 159    | 15.9   | 35              | 6  | USR-CNL/VDE |
| 2910.M63N    | -                 | M63x1.5            | 27-39  | 1.10-1.54 | 18                               | 159    | 15.9   | 35              | 6  | USR-CNL/VDE |
| 2900.07N     | 2901.07N          | Pg 7               | 3-7    | 0.11-0.28 | 6.25                             | 55     | 4  | 8.8             | -  | USR-CNR     |
| 2900.09N     | 2901.09N          | Pg 9               | 4-8    | 0.16-0.31 | 6.25                             | 55     | 2  | 4.4             | -  | USR-CNR     |
| 2900.11N     | 2901.11N          | Pg 11              | 4.5-10 | 0.18-0.40 | 6.25                             | 55     | 2  | 4.4             | -  | USR-CNR     |
| 2900.13N     | 2901.13N          | Pg 13.5            | 5-12   | 0.35-0.47 | 6.2                              | 55     | 15.9   | 35              | -  | USL-CNL     |
| 2900.16N     | 2901.16N          | Pg 16              | 7-13   | 0.39-0.51 | 7.5                              | 66     | 15.9   | 35              | -  | USL-CNL     |
| 2900.21N     | 2901.21N          | Pg 21              | 10-17  | 0.47-0.67 | 10                               | 88.5   | 15.9   | 35              | -  | USL-CNL     |
| 2900.29N     | 2901.29N          | Pg 29              | 18-25  | 0.71-0.99 | 15                               | 132.8  | 15.9   | 35              | -  | USL-CNL     |
| 2900.36N     | 2901.36N          | Pg 36              | 22-32  | 0.87-1.26 | 25                               | 221.2  | 15.9   | 35              | -  | USL-CNL     |
| 2900.42N     | 2901.42N          | Pg 42              | 28-38  | 1.10-1.38 | 25                               | 221.2  | 15.9   | 35              | -  | USL-CNL     |
| 2900.48N     | -                 | Pg 48              | 34-45  | 1.34-1.77 | 25                               | 221.2  | 15.9   | 35              | -  | USL-CNL     |
| 2910.07N     | 2911.07N          | Pg 7               | 1-5    | 0.04-0.20 | 6.25                             | 55     | 1.2  | 2.65            | -  | USR-CNR     |
| 2910.09N     | 2911.09N          | Pg 9               | 2-6    | 0.12-0.24 | 6.25                             | 55     | 4  | 2.2             | -  | USR-CNR     |
| 2910.11N     | 2911.11N          | Pg 11              | 2.5-7  | 0.14-0.28 | 6.25                             | 55     | 1  | 2.2             | -  | USR-CNR     |
| 2910.13N     | 2911.13N          | Pg 13.5            | 4-10   | 0.22-0.39 | 6.25                             | 55     | 2  | 4.4             | -  | USR-CNR     |
| 2910.16N     | 2911.16N          | Pg 16              | 5-10   | 0.24-0.39 | 7.5                              | 66     | 2  | 4.4             | -  | USR-CNR     |
| 2910.21N     | 2911.21N          | Pg 21              | 6-13   | 0.28-0.51 | 10                               | 88.5   | 2.5  | 6.6             | -  | USR-CNR     |
| 2910.29N     | 2911.29N          | Pg 29              | 12-20  | 0.47-0.79 | 10                               | 88.5   | 10   | 22              | -  | USR-CNR     |
| 2910.36N     | 2911.36N          | Pg 36              | 19-26  | 0.75-1.02 | 18                               | 159    | 15.9   | 35              | -  | USL-CNL     |
| 2910.42N     | 2911.42N          | Pg 42              | 24-31  | 0.95-1.22 | 18                               | 159    | 15.9   | 35              | -  | USL-CNL     |
| 2910.48N     | -                 | Pg 48              | 27-39  | 1.22-1.54 | 25                               | 221.2  | 15.9   | 35              | -  | USL-CNL     |