

# MAXIBLOCK CABLE GLANDS PG THREAD **1900DP** **PG**

*standard, factory fitted with Polyethylene foam discs*

MAXIblock Cable glands in Polyamide PA6.6, standard, factory fitted with Polyethylene foam discs.



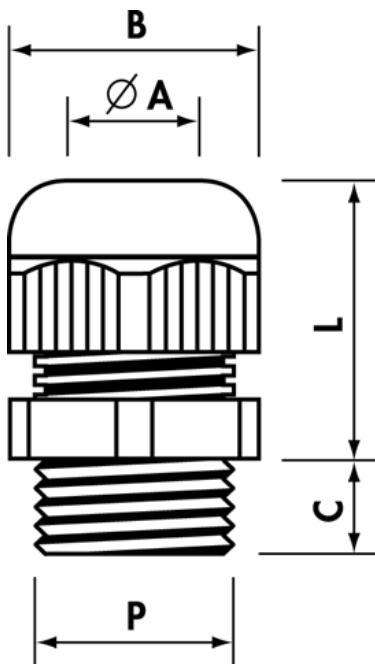
CERTIFICATES 

 **UL 514B**

# MAXIBLOCK CABLE GLANDS PG THREAD **1900DP** **PG**

## *Technical characteristics*

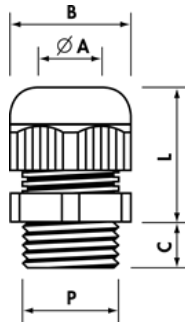
Material (Body)	Polyamide PA6.6
Material (Sealing ring)	Neoprene®
Material (Foam disc)	Polyethylene PE
Thickness	2 mm
UL94 class	V2
IP protection	68
Min operating temperature range	-20 °C
Max operating temperature range	90 °C



# MAXIBLOCK CABLE GLANDS PG THREAD 1900DP PG

## List of products

### 1900DP Pg



Type	P	Fixing hole diameter	Ø A min	Ø A max	B	C	L min	L max	Pack qty	Colour
1900DP.07	Pg7	12.7 mm	3.5 mm	7 mm	15 mm	8 mm	18 mm	22 mm	100	Grey RAL 7035
1900DP.09	Pg9	15.5 mm	5 mm	8 mm	19 mm	8 mm	22 mm	26 mm	100	Grey RAL 7035
1900DP.11	Pg11	18.8 mm	5 mm	10 mm	22 mm	8 mm	23 mm	28 mm	100	Grey RAL 7035
1900DP.13	Pg13,5	20.5 mm	7 mm	12 mm	24 mm	9 mm	24 mm	29 mm	100	Grey RAL 7035
1900DP.16	Pg16	22.6 mm	10 mm	14 mm	27 mm	10 mm	26 mm	31 mm	50	Grey RAL 7035
1900DP.21	Pg21	28.5 mm	13 mm	18 mm	33 mm	12 mm	30 mm	35 mm	50	Grey RAL 7035
1900DP.29	Pg29	37.2 mm	18 mm	25 mm	42 mm	12 mm	33 mm	39 mm	25	Grey RAL 7035
1900DP.36	Pg36	47.2 mm	20 mm	32 mm	53 mm	14 mm	42 mm	49 mm	10	Grey RAL 7035
1900DP.42	Pg42	54.2 mm	28 mm	38 mm	60 mm	14 mm	42 mm	50 mm	5	Grey RAL 7035
1900DP.48	Pg48	60 mm	37 mm	45 mm	66 mm	15 mm	45 mm	55 mm	5	Grey RAL 7035