

MAXIBLOCK CABLE GLANDS 1900DP M

standard, factory fitted with Polyethylene foam discs

MAXIblock Cable glands in Polyamide PA6.6, standard, factory fitted with Polyethylene foam discs.



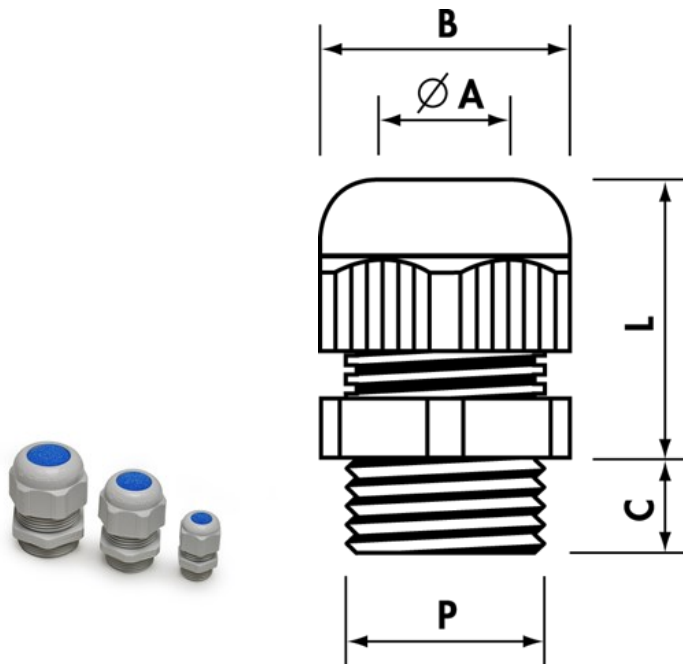
CERTIFICATES 

 BT 2006/95/CE

MAXIBLOCK CABLE GLANDS 1900DP M

Technical characteristics

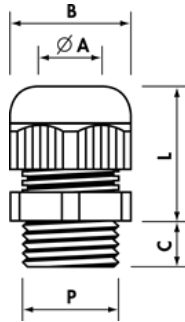
Material (Body)	Polyamide PA6.6
Material (Sealing ring)	Neoprene 70 sh A
Material (Foam disc)	Polyethylene PE
Thickness	2 mm
UL94 class	V2
IP protection	68
Min operating temperature range	-20 °C
Max operating temperature range	90 °C



MAXIBLOCK CABLE GLANDS 1900DP M

List of products

1900DP M



Type	P	Fixing hole diameter	Ø A min	Ø A max	B	C	L min	L max	Pack qty	Colour
1900DP.M12	M12X1,5	12.2 mm	3.5 mm	7 mm	15 mm	8 mm	18 mm	22 mm	100	Grey RAL 7035
1900DP.M16	M16X1,5	16.2 mm	5 mm	10 mm	19 mm	8 mm	22 mm	27 mm	100	Grey RAL 7035
1900DP.M20	M20X1,5	20.5 mm	7 mm	13 mm	25 mm	9 mm	24 mm	30 mm	100	Grey RAL 7035
1900DP.M25	M25X1,5	25.4 mm	10 mm	17 mm	30 mm	10 mm	28 mm	39 mm	50	Grey RAL 7035
1900DP.M32	M32X1,5	32.5 mm	13 mm	21 mm	36 mm	10 mm	33 mm	44 mm	25	Grey RAL 7035
1900DP.M40	M40X1,5	40.5 mm	19 mm	28 mm	46 mm	10 mm	36 mm	45 mm	15	Grey RAL 7035
1900DP.M50	M50X1,5	50.5 mm	27 mm	35 mm	55 mm	12 mm	43 mm	52 mm	10	Grey RAL 7035
1900DP.M63	M63X1,5	64 mm	34 mm	45 mm	66 mm	12 mm	45 mm	55 mm	5	Grey RAL 7035