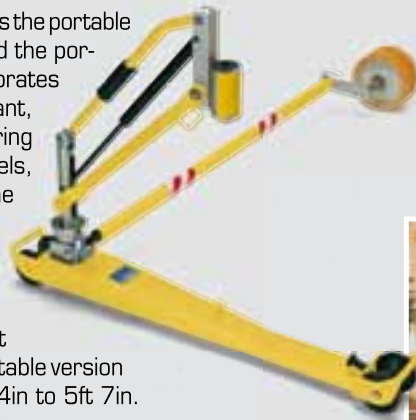


# SUPPORT TROLLEY

## CS-SD CS-SD-TA

The support mechanism, which secures the portable drilling machines SD-9P, SD-10EY and the portable impact wrench NR-11P, incorporates a gas pressure spring to give a constant, balanced control to the machine during operation. Fitted with insulated wheels, the trolley does not interfere with the track electrical circuits. The trolley is easily closed and can comfortably be carried by a single operator.

The CS-SD standard version is suitable to work on standard gauge rails (4ft 8.5in), while the CS-SD-TA is the adjustable version suitable to cover gauges from 3ft 3.4in to 5ft 7in.



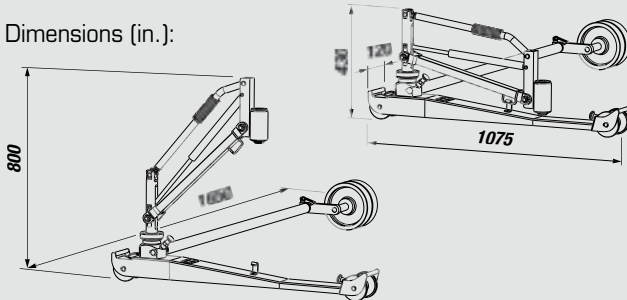
The trolley is easily assembled and can comfortably be carried by a single operator.



### General features:

- Weight: (without connecting rod) 38.5 lbs
- Connecting rod weight: 26.4 lbs

- Dimensions (in.):



## Portable drilling machines for wood ties SD-9P + support trolley CS-SD

(See Page 28)



## Portable gas engine impact wrench NR-11P + support trolley CS-SD

(See Page 26)

